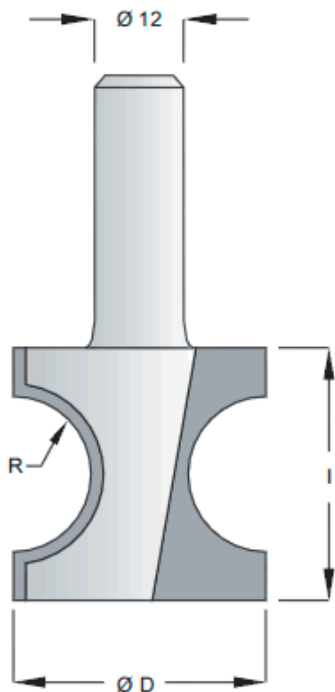
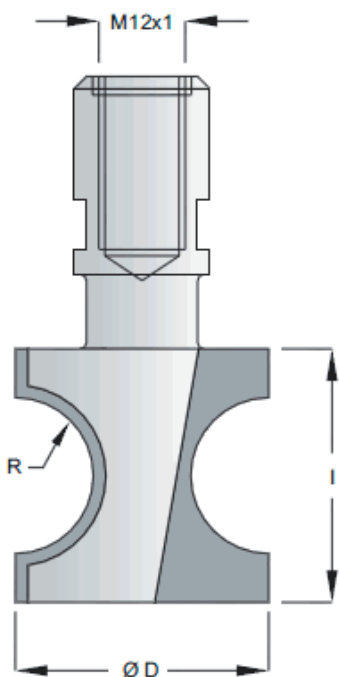


FRESE A MEZZO TONDO IN HW
HW Cove router bit
HW Rhohkehlfräser
HW Fresas de perfil para fresadora


Ø D	I	R	
25	30	6	FMT.25-30/6
30	35	8	FMT.30-35/8
35	40	10	FMT.35-40/10
40	45	12	FMT.40-45/12
45	50	15	FMT.45-50/15



Ø D	I	R	
25	30	6	FMT.25-30/6.M12
30	35	8	FMT.30-35/8.M12
35	40	10	FMT.35-40/10.M12
40	45	12	FMT.40-45/12.M12
45	50	15	FMT.45-50/15.M12