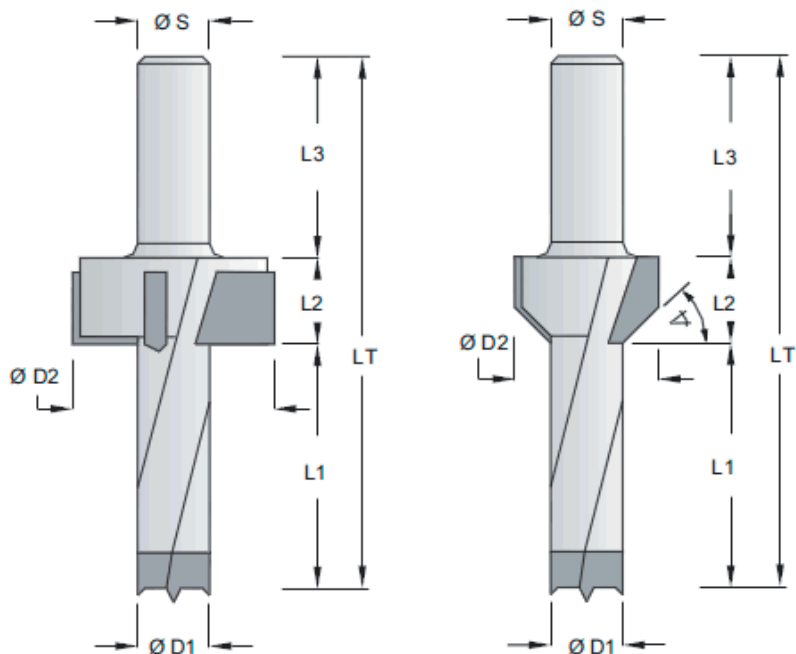


PUNTE A GRADINO PER FORI CIECHI IN HW

HW Counterbore / countersink bit

HW Stufenspiralbohrer

HW Broca escalonada



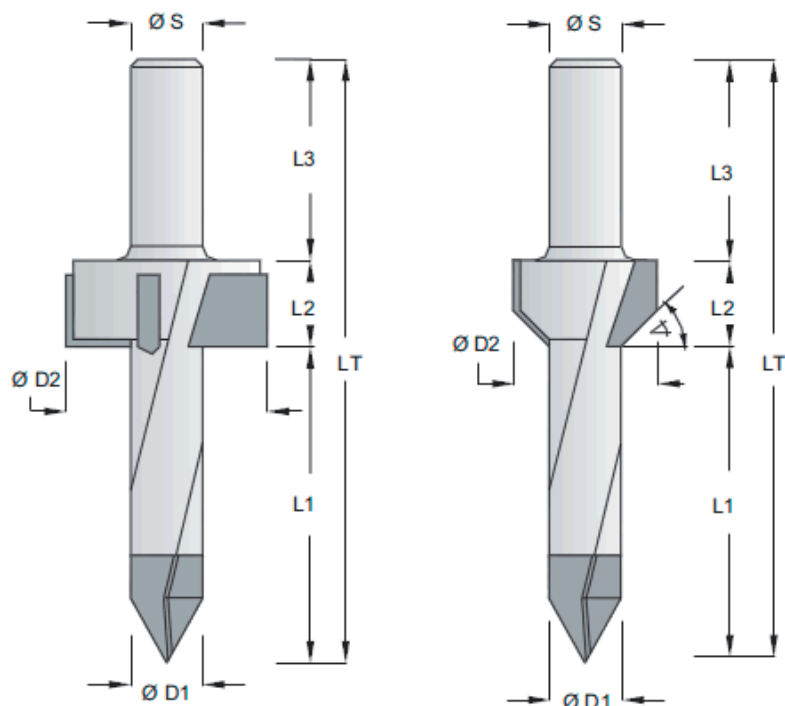
misure a richiesta

PUNTE A GRADINO PER FORI PASSANTI IN HW

HW Counterbore / countersink bit

HW Stufenspiralbohrer

HW Broca escalonada



misure a richiesta