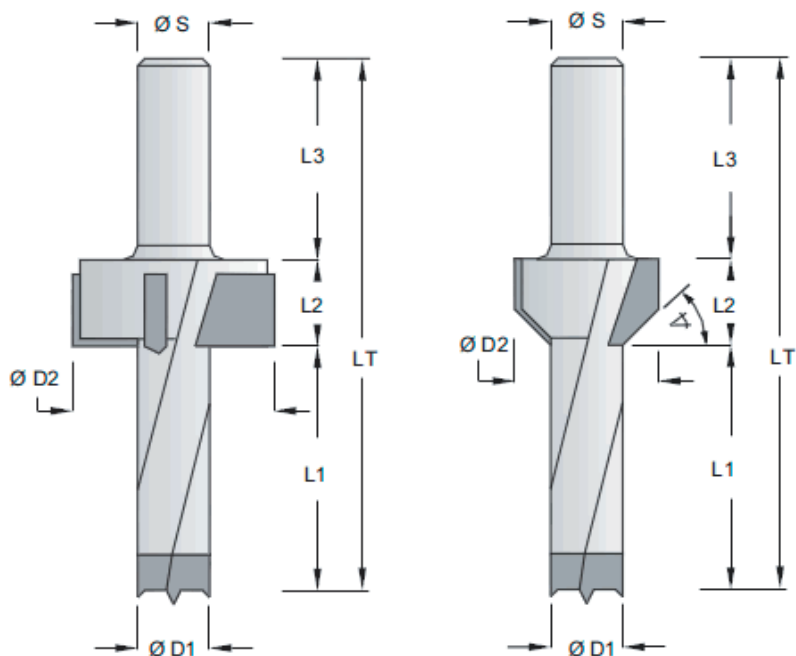


### **PUNTE A GRADINO PER FORI CIECHI IN HW**

*HW Counterbore / countersink bit*

*HW Stufenspiralbohrer*

*HW Broca escalonada*



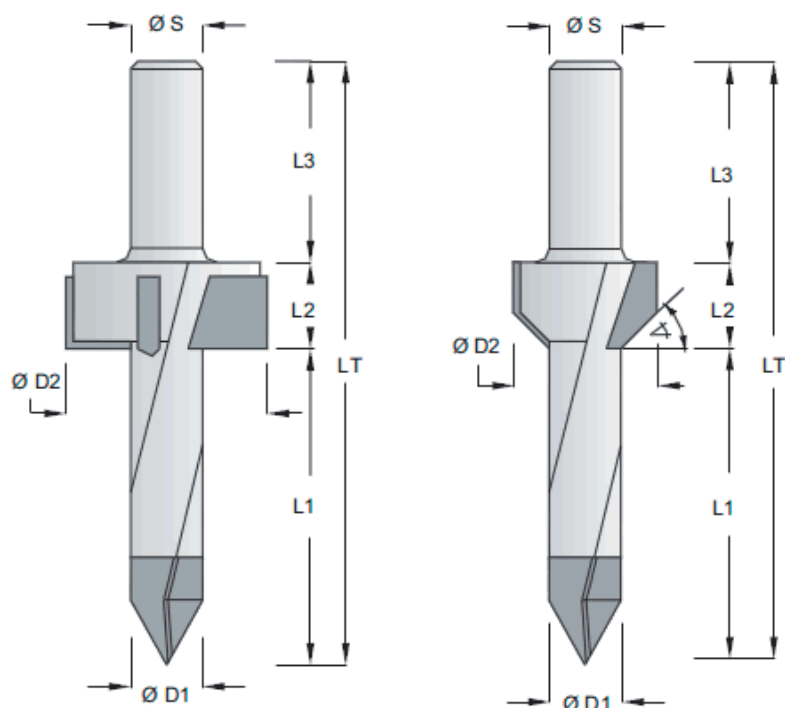
**misure a richiesta**

### **PUNTE A GRADINO PER FORI PASSANTI IN HW**

*HW Counterbore / countersink bit*

*HW Stufenspiralbohrer*

*HW Broca escalonada*



**misure a richiesta**