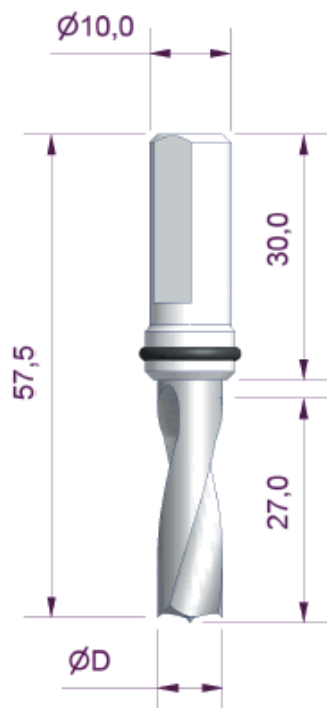


PUNTE SPECIALI PER FORI CIECHI IN HW INTEGRALE

HW Solid carbide special dowel drill bits

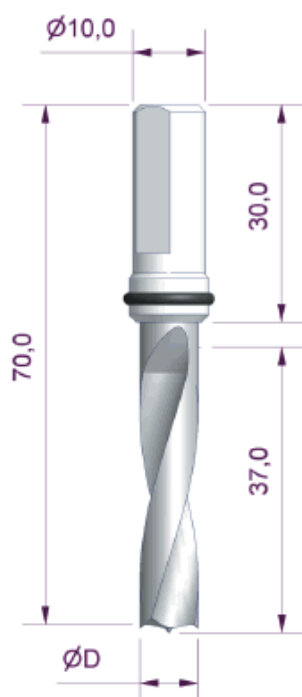
VHM Spezialdübelbohrer

HW Integral broca para agujero ciego



Ø D	L	DX - RH	SX - LH
3*	57.5	FC.W.HP.57/3.D	FC.W.HP.57/3.S
4	57.5	FC.W.HP.57/4.D	FC.W.HP.57/4.S
5	57.5	FC.W.HP.57/5.D	FC.W.HP.57/5.S
6	57.5	FC.W.HP.57/6.D	FC.W.HP.57/6.S
8	57.5	FC.W.HP.57/8.D	FC.W.HP.57/8.S

* 10X39mm



Ø D	L	DX - RH	SX - LH
3*	70	FC.W.HP.70/3.D	FC.W.HP.70/3.S
4	70	FC.W.HP.70/4.D	FC.W.HP.70/4.S
5	70	FC.W.HP.70/5.D	FC.W.HP.70/5.S
6	70	FC.W.HP.70/6.D	FC.W.HP.70/6.S
8	70	FC.W.HP.70/8.D	FC.W.HP.70/8.S

* 10X39mm