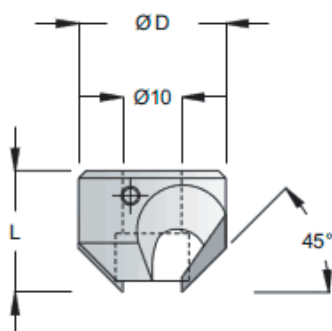


## **SVASATORI STANDARD PER PUNTA COMPONENTE IN HW**

*HW Countersink for drill bits*

*HW Aufstecksenker für Dübelbohrer*

*HW Avellanador*



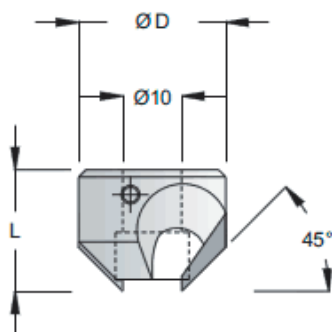
Ø d	Ø D	L	DX - RH	SX - LH
4	14	12	SV.S.12/14/4.D	SV.S.12/14/4.S
5	14	12	SV.S.12/14/5.D	SV.S.12/14/5.S
6	16	14	SV.S.14/16/6.D	SV.S.14/16/6.S
6,35-I	16	14	SV.S.14/16/635.D	SV.S.14/16/635.S
7	16	14	SV.S.14/16/7.D	SV.S.14/16/7.S
8	16	16	SV.S.16/16/8.D	SV.S.16/16/8.S
9	18	16	SV.S.16/18/9.D	SV.S.16/18/9.S
9,5-I	20	16	SV.S.16/20/95.D	SV.S.16/20/95.S
10	20	18	SV.S.18/20/10.D	SV.S.18/20/10.S
11	20	18	SV.S.18/20/11.D	SV.S.18/20/11.S
12	20	18	SV.S.18/20/12.D	SV.S.18/20/12.S

## **SVASATORI SPECIALI PER PUNTA COMPONENTE IN HW**

*HW Special Countersink for drill bits*

*HW Spezial Aufstecksenker für Dübelbohrer*

*HW Avellanador especial*



Ø d	Ø D	L	DX - RH	SX - LH
4 - 10	20	15	SV.SP.15/20.D	SV.SP.15/20.S
11 - 12	22	16	SV.SP.16/22.D	SV.SP.16/22.S