

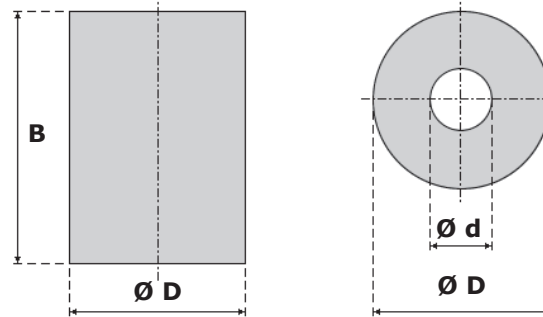
TESTE PORTACOLTELLI PIALLA IN LEGA LEGGERA

Alluminium cutter heads for planer knives

Köpfe leichtmetall für hobelmesser

Cabezales portacuchillas de cepillo en aluminio

Дюралевые ножевые барабаны для плоского строгания



| CODICE | Ø D (mm) | B (mm) | Ø d (mm) | Z |
|------------|-------------|-----------|-------------|---|
| TPL125604 | 125 | 60 | 40 | 4 |
| TPL125804 | 125 | 80 | 40 | 4 |
| TPL1251004 | 125 | 100 | 40 | 4 |
| TPL1251204 | 125 | 120 | 40 | 4 |
| TPL1251304 | 125 | 130 | 40 | 4 |
| TPL1251504 | 125 | 150 | 40 | 4 |
| TPL1251604 | 125 | 160 | 40 | 4 |
| TPL1251804 | 125 | 180 | 40 | 4 |
| TPL1251904 | 125 | 190 | 40 | 4 |
| TPL1252004 | 125 | 200 | 40 | 4 |
| TPL1252204 | 125 | 220 | 40 | 4 |
| TPL1252304 | 125 | 230 | 40 | 4 |
| TPL1252404 | 125 | 240 | 40 | 4 |
| TPL1252504 | 125 | 250 | 40 | 4 |
| TPL1252604 | 125 | 260 | 40 | 4 |
| TPL140604 | 140 | 60 | 40 | 4 |
| TPL140804 | 140 | 80 | 40 | 4 |
| TPL1401004 | 140 | 100 | 40 | 4 |
| TPL1401204 | 140 | 120 | 40 | 4 |
| TPL1401304 | 140 | 130 | 40 | 4 |
| TPL1401504 | 140 | 150 | 40 | 4 |
| TPL1401604 | 140 | 160 | 40 | 4 |
| TPL1401804 | 140 | 180 | 40 | 4 |
| TPL1401904 | 140 | 190 | 40 | 4 |
| TPL1402004 | 140 | 200 | 40 | 4 |
| TPL1402204 | 140 | 220 | 40 | 4 |
| TPL1402304 | 140 | 230 | 40 | 4 |
| TPL1402404 | 140 | 240 | 40 | 4 |
| TPL1402504 | 140 | 250 | 40 | 4 |
| TPL1402604 | 140 | 260 | 40 | 4 |

| CODICE | Ø D (mm) | B (mm) | Ø d (mm) | Z |
|------------|-------------|-----------|-------------|---|
| TPL125606 | 125 | 60 | 40 | 6 |
| TPL125806 | 125 | 80 | 40 | 6 |
| TPL1251006 | 125 | 100 | 40 | 6 |
| TPL1251206 | 125 | 120 | 40 | 6 |
| TPL1251306 | 125 | 130 | 40 | 6 |
| TPL1251506 | 125 | 150 | 40 | 6 |
| TPL1251606 | 125 | 160 | 40 | 6 |
| TPL1251806 | 125 | 180 | 40 | 6 |
| TPL1251906 | 125 | 190 | 40 | 6 |
| TPL1252006 | 125 | 200 | 40 | 6 |
| TPL1252206 | 125 | 220 | 40 | 6 |
| TPL1252306 | 125 | 230 | 40 | 6 |
| TPL1252406 | 125 | 240 | 40 | 6 |
| TPL1252506 | 125 | 250 | 40 | 6 |
| TPL1252606 | 125 | 260 | 40 | 6 |
| TPL140606 | 140 | 60 | 40 | 6 |
| TPL140806 | 140 | 80 | 40 | 6 |
| TPL1401006 | 140 | 100 | 40 | 6 |
| TPL1401206 | 140 | 120 | 40 | 6 |
| TPL1401306 | 140 | 130 | 40 | 6 |
| TPL1401506 | 140 | 150 | 40 | 6 |
| TPL1401606 | 140 | 160 | 40 | 6 |
| TPL1401806 | 140 | 180 | 40 | 6 |
| TPL1401906 | 140 | 190 | 40 | 6 |
| TPL1402006 | 140 | 200 | 40 | 6 |
| TPL1402206 | 140 | 220 | 40 | 6 |
| TPL1402306 | 140 | 230 | 40 | 6 |
| TPL1402406 | 140 | 240 | 40 | 6 |
| TPL1402506 | 140 | 250 | 40 | 6 |
| TPL1402606 | 140 | 260 | 40 | 6 |

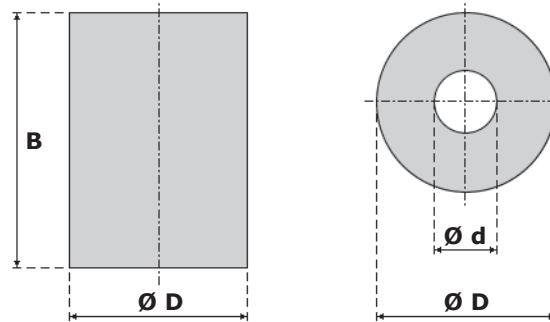
TESTE PORTACOLTELLI PIALLA ACCIAIO

Steel cutter heads for planer knives

Köpfe zu stahl für hobelmesser

Cabezales portacuchillas de cepillo en acero

Стальные ножевые барабаны для плоского строгания



| CODICE | Ø D (mm) | B (mm) | Ø d (mm) | Z | CODICE | Ø D (mm) | B (mm) | Ø d (mm) | Z |
|------------|-------------|-----------|-------------|---|------------|-------------|-----------|-------------|---|
| TPA125604 | 125 | 60 | 40 | 4 | TPA125606 | 125 | 60 | 40 | 6 |
| TPA125804 | 125 | 80 | 40 | 4 | TPA125806 | 125 | 80 | 40 | 6 |
| TPA1251004 | 125 | 100 | 40 | 4 | TPA1251006 | 125 | 100 | 40 | 6 |
| TPA1251204 | 125 | 120 | 40 | 4 | TPA1251206 | 125 | 120 | 40 | 6 |
| TPA1251304 | 125 | 130 | 40 | 4 | TPA1251306 | 125 | 130 | 40 | 6 |
| TPA1251504 | 125 | 150 | 40 | 4 | TPA1251506 | 125 | 150 | 40 | 6 |
| TPA1251604 | 125 | 160 | 40 | 4 | TPA1251606 | 125 | 160 | 40 | 6 |
| TPA1251804 | 125 | 180 | 40 | 4 | TPA1251806 | 125 | 180 | 40 | 6 |
| TPA1251904 | 125 | 190 | 40 | 4 | TPA1251906 | 125 | 190 | 40 | 6 |
| TPA1252004 | 125 | 200 | 40 | 4 | TPA1252006 | 125 | 200 | 40 | 6 |
| TPA1252204 | 125 | 220 | 40 | 4 | TPA1252206 | 125 | 220 | 40 | 6 |
| TPA1252304 | 125 | 230 | 40 | 4 | TPA1252306 | 125 | 230 | 40 | 6 |
| TPA1252404 | 125 | 240 | 40 | 4 | TPA1252406 | 125 | 240 | 40 | 6 |
| TPA1252504 | 125 | 250 | 40 | 4 | TPA1252506 | 125 | 250 | 40 | 6 |
| TPA1252604 | 125 | 260 | 40 | 4 | TPA1252606 | 125 | 260 | 40 | 6 |
| TPA140604 | 140 | 60 | 40 | 4 | TPA140606 | 140 | 60 | 40 | 6 |
| TPA140804 | 140 | 80 | 40 | 4 | TPA140806 | 140 | 80 | 40 | 6 |
| TPA1401004 | 140 | 100 | 40 | 4 | TPA1401006 | 140 | 100 | 40 | 6 |
| TPA1401204 | 140 | 120 | 40 | 4 | TPA1401206 | 140 | 120 | 40 | 6 |
| TPA1401304 | 140 | 130 | 40 | 4 | TPA1401306 | 140 | 130 | 40 | 6 |
| TPA1401504 | 140 | 150 | 40 | 4 | TPA1401506 | 140 | 150 | 40 | 6 |
| TPA1401604 | 140 | 160 | 40 | 4 | TPA1401606 | 140 | 160 | 40 | 6 |
| TPA1401804 | 140 | 180 | 40 | 4 | TPA1401806 | 140 | 180 | 40 | 6 |
| TPA1401904 | 140 | 190 | 40 | 4 | TPA1401906 | 140 | 190 | 40 | 6 |
| TPA1402004 | 140 | 200 | 40 | 4 | TPA1402006 | 140 | 200 | 40 | 6 |
| TPA1402204 | 140 | 220 | 40 | 4 | TPA1402206 | 140 | 220 | 40 | 6 |
| TPA1402304 | 140 | 230 | 40 | 4 | TPA1402306 | 140 | 230 | 40 | 6 |
| TPA1402404 | 140 | 240 | 40 | 4 | TPA1402406 | 140 | 240 | 40 | 6 |
| TPA1402504 | 140 | 250 | 40 | 4 | TPA1402506 | 140 | 250 | 40 | 6 |
| TPA1402604 | 140 | 260 | 40 | 4 | TPA1402606 | 140 | 260 | 40 | 6 |

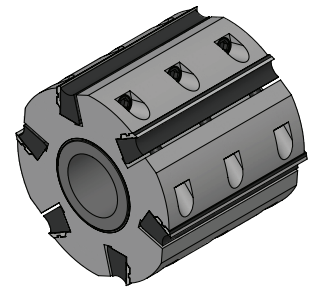
TESTE CENTROLOCK LEGA LEGGERA

Cutterheads light alloy for Centrolock knives

Köpfe leichtmetall für Centrolock messer

Cabezales Centrolock en aluminio

Дюралевые барабаны Centrolock



| Codice | D | B | d | Z |
|---------------|----------|----------|----------|----------|
| TCL1001204 | 100 | 120 | 35 | 4 |
| TCL1001904 | 100 | 190 | 35 | 4 |
| TCL1251004 | 125 | 100 | 40 | 4 |
| TCL1251304 | 125 | 130 | 40 | 4 |
| TCL1251504 | 125 | 150 | 40 | 4 |
| TCL1251804 | 125 | 180 | 40 | 4 |
| TCL1252104 | 125 | 210 | 40 | 4 |
| TCL1252304 | 125 | 230 | 40 | 4 |
| TCL1252504 | 125 | 250 | 40 | 4 |
| TCL1401004 | 140 | 100 | 40-50 | 4 |
| TCL1401304 | 140 | 130 | 40-50 | 4 |
| TCL1401504 | 140 | 150 | 40-50 | 4 |
| TCL1401804 | 140 | 180 | 40-50 | 4 |
| TCL1402104 | 140 | 210 | 40-50 | 4 |
| TCL1402304 | 140 | 230 | 40-50 | 4 |
| TCL1402504 | 140 | 250 | 40-50 | 4 |
| TCL1601006 | 160 | 100 | 40-50 | 6 |
| TCL1601306 | 160 | 130 | 40-50 | 6 |
| TCL1601506 | 160 | 150 | 40-50 | 6 |
| TCL1601806 | 160 | 180 | 40-50 | 6 |
| TCL1602106 | 160 | 210 | 40-50 | 6 |
| TCL1602306 | 160 | 230 | 40-50 | 6 |
| TCL1602506 | 160 | 250 | 40-50 | 6 |

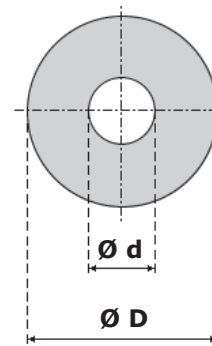
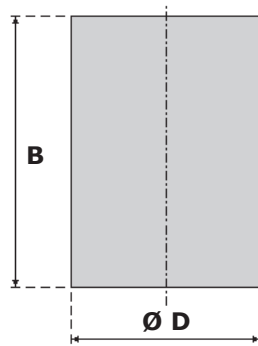
TESTA PORTACOLTELLI ELICOIDALE IN LEGA PER PIALLATURA

Alluminium spiral planing cutter heads

Leichtmetall Spiral Hobelmesserkopf

Cabezales portacuchillas para cepillar en aluminio

Барабаны с винтовым расположением ножей
предварительного строгания из алюминия



Z=4

Z=6

| CODICE | D | B | d | Z |
|--------------|-----|-----|-------|----|
| TEPL10012022 | 100 | 120 | 25-40 | 22 |
| TEPL10013022 | 100 | 130 | 25-40 | 22 |
| TEPL10014026 | 100 | 140 | 25-40 | 26 |
| TEPL10015026 | 100 | 150 | 25-40 | 26 |
| TEPL10016030 | 100 | 160 | 25-40 | 30 |
| TEPL10018034 | 100 | 180 | 25-40 | 34 |

| CODICE | D | B | d | Z |
|--------------|-----|-----|-------|----|
| TEPL12012033 | 120 | 120 | 25-50 | 33 |
| TEPL12013033 | 120 | 130 | 25-50 | 33 |
| TEPL12014039 | 120 | 140 | 25-50 | 39 |
| TEPL12015039 | 120 | 150 | 25-50 | 39 |
| TEPL12016045 | 120 | 160 | 25-50 | 45 |
| TEPL12018051 | 120 | 180 | 25-50 | 51 |
| TEPL12020057 | 120 | 200 | 25-50 | 57 |
| TEPL12022063 | 120 | 220 | 25-50 | 63 |
| TEPL12023063 | 120 | 230 | 25-50 | 63 |
| TEPL12512033 | 125 | 120 | 25-50 | 33 |
| TEPL12513033 | 125 | 130 | 25-50 | 33 |
| TEPL12514039 | 125 | 140 | 25-50 | 39 |
| TEPL12515039 | 125 | 150 | 25-50 | 39 |
| TEPL12516045 | 125 | 160 | 25-50 | 45 |
| TEPL12518051 | 125 | 180 | 25-50 | 51 |
| TEPL12520057 | 125 | 200 | 25-50 | 57 |
| TEPL12522063 | 125 | 220 | 25-50 | 63 |
| TEPL12523063 | 125 | 230 | 25-50 | 63 |
| TEPL14012033 | 140 | 120 | 25-50 | 33 |
| TEPL14013033 | 140 | 130 | 25-50 | 33 |
| TEPL14014039 | 140 | 140 | 25-50 | 39 |
| TEPL14015039 | 140 | 150 | 25-50 | 39 |
| TEPL14016045 | 140 | 160 | 25-50 | 45 |
| TEPL14018051 | 140 | 180 | 25-50 | 51 |
| TEPL14020057 | 140 | 200 | 25-50 | 57 |
| TEPL14022063 | 140 | 220 | 25-50 | 63 |
| TEPL14023063 | 140 | 230 | 25-50 | 63 |

Coltelli reversibili 14x14x2

Reversible knives 14x14x2

HW Messer für hobelsysteme 14x14x2

Cuchillas reversibles HW 14x14x2

Сменные пластины HW 14x14x2

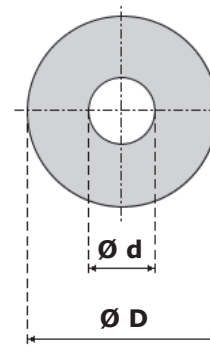
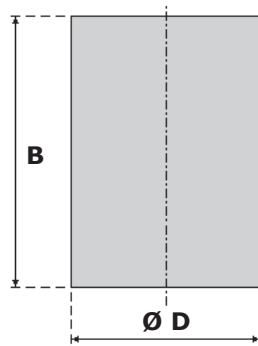
TESTA PORTACOLTELLI ELICOIDALE PER PIALLATURA IN ACCIAIO

Steel spiral planning cutter heads

Stahl spiral Hobelmesserkopf

Cabezales portacuchillas para cepillar en acero

Барабаны с винтовым расположением ножей
предварительного строгания из стали



Z=4

Z=6

| CODICE | D | B | d | Z |
|--------------|-----|-----|-------|----|
| TEPA10012022 | 100 | 120 | 25-40 | 22 |
| TEPA10013022 | 100 | 130 | 25-40 | 22 |
| TEPA10014026 | 100 | 140 | 25-40 | 26 |
| TEPA10015026 | 100 | 150 | 25-40 | 26 |
| TEPA10016030 | 100 | 160 | 25-40 | 30 |
| TEPA10018034 | 100 | 180 | 25-40 | 34 |

| CODICE | D | B | d | Z |
|--------------|-----|-----|-------|----|
| TEPA12012033 | 120 | 120 | 25-50 | 33 |
| TEPA12013033 | 120 | 130 | 25-50 | 33 |
| TEPA12014039 | 120 | 140 | 25-50 | 39 |
| TEPA12015039 | 120 | 150 | 25-50 | 39 |
| TEPA12016045 | 120 | 160 | 25-50 | 45 |
| TEPA12018051 | 120 | 180 | 25-50 | 51 |
| TEPA12020057 | 120 | 200 | 25-50 | 57 |
| TEPA12022063 | 120 | 220 | 25-50 | 63 |
| TEPA12023063 | 120 | 230 | 25-50 | 63 |
| TEPA12512033 | 125 | 120 | 25-50 | 33 |
| TEPA12513033 | 125 | 130 | 25-50 | 33 |
| TEPA12514039 | 125 | 140 | 25-50 | 39 |
| TEPA12515039 | 125 | 150 | 25-50 | 39 |
| TEPA12516045 | 125 | 160 | 25-50 | 45 |
| TEPA12518051 | 125 | 180 | 25-50 | 51 |
| TEPA12520057 | 125 | 200 | 25-50 | 57 |
| TEPA12522063 | 125 | 220 | 25-50 | 63 |
| TEPA12523063 | 125 | 230 | 25-50 | 63 |
| TEPA14012033 | 140 | 120 | 25-50 | 33 |
| TEPA14013033 | 140 | 130 | 25-50 | 33 |
| TEPA14014039 | 140 | 140 | 25-50 | 39 |
| TEPA14015039 | 140 | 150 | 25-50 | 39 |
| TEPA14016045 | 140 | 160 | 25-50 | 45 |
| TEPA14018051 | 140 | 180 | 25-50 | 51 |
| TEPA14020057 | 140 | 200 | 25-50 | 57 |
| TEPA14022063 | 140 | 220 | 25-50 | 63 |
| TEPA14023063 | 140 | 230 | 25-50 | 63 |

Coltelli reversibili 14x14x2

Reversible knives 14x14x2

HW Messer für hobelsysteme 14x14x2

Cuchillas reversibles HW 14x14x2

Сменные пластины HW 14x14x2

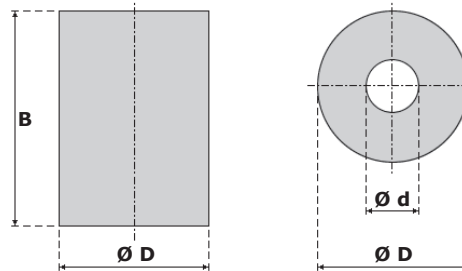
TESTA PORTACOLTELLI ELICOIDALE IN LEGA PER PIALLATURA Z=6

Alluminium spiral planing cutter heads Z=6

Leichtmetall Spiral Hobelmesserkopf Z=6

Cabezales portacuchillas para cepillar en aluminio Z=6

Барабаны с винтовым расположением ножей предварительного строгания из алюминия Z=6



Coltelli reversibili da pag. 38

Reversible knives from page 38

HW Messer für hobelsysteme ab Seite 38

Cuchillas reversibles HW de las páginas 38

Сменные пластины сменные

твердосплавные ножи

| CODICE | D | B | d | Z | CODICE | D | B | d | Z |
|--------------|-----|-----|-------|----|--------------|-----|-----|-------|----|
| TESL10012021 | 100 | 120 | 25-40 | 21 | TESL10012015 | 100 | 120 | 25-40 | 15 |
| TESL10013021 | 100 | 130 | 25-40 | 21 | TESL10013018 | 100 | 130 | 25-40 | 18 |
| TESL10014024 | 100 | 140 | 25-40 | 24 | TESL10014018 | 100 | 140 | 25-40 | 18 |
| TESL10015024 | 100 | 150 | 25-40 | 24 | TESL10015021 | 100 | 150 | 25-40 | 21 |
| TESL10016027 | 100 | 160 | 25-40 | 27 | TESL10016021 | 100 | 160 | 25-40 | 21 |
| TESL10018030 | 100 | 180 | 25-40 | 30 | TESL10018024 | 100 | 180 | 25-40 | 24 |
| TESL12012021 | 120 | 120 | 25-50 | 21 | TESL12012015 | 120 | 120 | 25-50 | 15 |
| TESL12013021 | 120 | 130 | 25-50 | 21 | TESL12013018 | 120 | 130 | 25-50 | 18 |
| TESL12014024 | 120 | 140 | 25-50 | 24 | TESL12014018 | 120 | 140 | 25-50 | 18 |
| TESL12015024 | 120 | 150 | 25-50 | 24 | TESL12015021 | 120 | 150 | 25-50 | 21 |
| TESL12016027 | 120 | 160 | 25-50 | 27 | TESL12016021 | 120 | 160 | 25-50 | 21 |
| TESL12018030 | 120 | 180 | 25-50 | 30 | TESL12018024 | 120 | 180 | 25-50 | 24 |
| TESL12020033 | 120 | 200 | 25-50 | 33 | TESL12020027 | 120 | 200 | 25-50 | 27 |
| TESL12022039 | 120 | 220 | 25-50 | 39 | TESL12022030 | 120 | 220 | 25-50 | 30 |
| TESL12023039 | 120 | 230 | 25-50 | 39 | TESL12023030 | 120 | 230 | 25-50 | 30 |
| TESL12512021 | 125 | 120 | 25-50 | 21 | TESL12512015 | 125 | 120 | 25-50 | 15 |
| TESL12513021 | 125 | 130 | 25-50 | 21 | TESL12513018 | 125 | 130 | 25-50 | 18 |
| TESL12514024 | 125 | 140 | 25-50 | 24 | TESL12514018 | 125 | 140 | 25-50 | 18 |
| TESL12515024 | 125 | 150 | 25-50 | 24 | TESL12515021 | 125 | 150 | 25-50 | 21 |
| TESL12516027 | 125 | 160 | 25-50 | 27 | TESL12516021 | 125 | 160 | 25-50 | 21 |
| TESL12518030 | 125 | 180 | 25-50 | 30 | TESL12518024 | 125 | 180 | 25-50 | 24 |
| TESL12520033 | 125 | 200 | 25-50 | 33 | TESL12520027 | 125 | 200 | 25-50 | 27 |
| TESL12522039 | 125 | 220 | 25-50 | 39 | TESL12522030 | 125 | 220 | 25-50 | 30 |
| TESL12523039 | 125 | 230 | 25-50 | 39 | TESL12523030 | 125 | 230 | 25-50 | 30 |
| TESL14012021 | 140 | 120 | 25-50 | 21 | TESL14012015 | 140 | 120 | 25-50 | 15 |
| TESL14013021 | 140 | 130 | 25-50 | 21 | TESL14013018 | 140 | 130 | 25-50 | 18 |
| TESL14014024 | 140 | 140 | 25-50 | 24 | TESL14014018 | 140 | 140 | 25-50 | 18 |
| TESL14015024 | 140 | 150 | 25-50 | 24 | TESL14015021 | 140 | 150 | 25-50 | 21 |
| TESL14016027 | 140 | 160 | 25-50 | 27 | TESL14016021 | 140 | 160 | 25-50 | 21 |
| TESL14018030 | 140 | 180 | 25-50 | 30 | TESL14018024 | 140 | 180 | 25-50 | 24 |
| TESL14020033 | 140 | 200 | 25-50 | 33 | TESL14020027 | 140 | 200 | 25-50 | 27 |
| TESL14022039 | 140 | 220 | 25-50 | 39 | TESL14022030 | 140 | 220 | 25-50 | 30 |
| TESL14023039 | 140 | 230 | 25-50 | 39 | TESL14023030 | 140 | 230 | 25-50 | 30 |

TESTA PORTACOLTELLI ELICOIDALE Z=6 IN ACCIAIO PER PIALLATURA

Steel spiral planing cutter heads Z=6

Stahl spiral Hobelmesserkopf Z=6

Cabezales portacuchillas para cepillar en acero Z=6

Барабаны с винтовым расположением ножей предварительного строгания Z=6 из стали

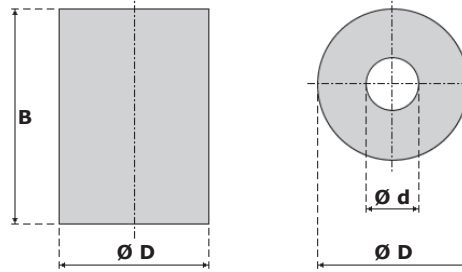
Coltelli reversibili da pag. 38

Reversible knives from page 38

HW Messer für hobelsysteme ab Seite 38

Cuchillas reversibles HW de las páginas 38

Сменные пластины сменные
твердосплавные ножи



| CODICE | D | B | d | Z | CODICE | D | B | d | Z |
|--------------|-----|-----|-------|----|--------------|-----|-----|-------|----|
| TESA10012021 | 100 | 120 | 25-40 | 21 | TESA10012015 | 100 | 120 | 25-40 | 15 |
| TESA10013021 | 100 | 130 | 25-40 | 21 | TESA10013018 | 100 | 130 | 25-40 | 18 |
| TESA10014024 | 100 | 140 | 25-40 | 24 | TESA10014018 | 100 | 140 | 25-40 | 18 |
| TESA10015024 | 100 | 150 | 25-40 | 24 | TESA10015021 | 100 | 150 | 25-40 | 21 |
| TESA10016027 | 100 | 160 | 25-40 | 27 | TESA10016021 | 100 | 160 | 25-40 | 21 |
| TESA10018030 | 100 | 180 | 25-40 | 30 | TESA10018024 | 100 | 180 | 25-40 | 24 |
| TESA12012021 | 120 | 120 | 25-50 | 21 | TESA12012015 | 120 | 120 | 25-50 | 15 |
| TESA12013021 | 120 | 130 | 25-50 | 21 | TESA12013018 | 120 | 130 | 25-50 | 18 |
| TESA12014024 | 120 | 140 | 25-50 | 24 | TESA12014018 | 120 | 140 | 25-50 | 18 |
| TESA12015024 | 120 | 150 | 25-50 | 24 | TESA12015021 | 120 | 150 | 25-50 | 21 |
| TESA12016027 | 120 | 160 | 25-50 | 27 | TESA12016021 | 120 | 160 | 25-50 | 21 |
| TESA12018030 | 120 | 180 | 25-50 | 30 | TESA12018024 | 120 | 180 | 25-50 | 24 |
| TESA12020033 | 120 | 200 | 25-50 | 33 | TESA12020027 | 120 | 200 | 25-50 | 27 |
| TESA12022039 | 120 | 220 | 25-50 | 39 | TESA12022030 | 120 | 220 | 25-50 | 30 |
| TESA12023039 | 120 | 230 | 25-50 | 39 | TESA12023030 | 120 | 230 | 25-50 | 30 |
| TESA12512021 | 125 | 120 | 25-50 | 21 | TESA12512015 | 125 | 120 | 25-50 | 15 |
| TESL12513021 | 125 | 130 | 25-50 | 21 | TESA12513018 | 125 | 130 | 25-50 | 18 |
| TESA12514024 | 125 | 140 | 25-50 | 24 | TESA12514018 | 125 | 140 | 25-50 | 18 |
| TESA12515024 | 125 | 150 | 25-50 | 24 | TESA12515021 | 125 | 150 | 25-50 | 21 |
| TESA12516027 | 125 | 160 | 25-50 | 27 | TESA12516021 | 125 | 160 | 25-50 | 21 |
| TESA12518030 | 125 | 180 | 25-50 | 30 | TESA12518024 | 125 | 180 | 25-50 | 24 |
| TESA12520033 | 125 | 200 | 25-50 | 33 | TES12520027 | 125 | 200 | 25-50 | 27 |
| TESA12522039 | 125 | 220 | 25-50 | 39 | TESA12522030 | 125 | 220 | 25-50 | 30 |
| TESA12523039 | 125 | 230 | 25-50 | 39 | TESA12523030 | 125 | 230 | 25-50 | 30 |
| TESA14012021 | 140 | 120 | 25-50 | 21 | TESA14012015 | 140 | 120 | 25-50 | 15 |
| TESA14013021 | 140 | 130 | 25-50 | 21 | TESA14013018 | 140 | 130 | 25-50 | 18 |
| TESA14014024 | 140 | 140 | 25-50 | 24 | TESA14014018 | 140 | 140 | 25-50 | 18 |
| TESA14015024 | 140 | 150 | 25-50 | 24 | TESA14015021 | 140 | 150 | 25-50 | 21 |
| TESA14016027 | 140 | 160 | 25-50 | 27 | TESA14016021 | 140 | 160 | 25-50 | 21 |
| TESA14018030 | 140 | 180 | 25-50 | 30 | TESA14018024 | 140 | 180 | 25-50 | 24 |
| TESA14020033 | 140 | 200 | 25-50 | 33 | TESA14020027 | 140 | 200 | 25-50 | 27 |
| TESA14022039 | 140 | 220 | 25-50 | 39 | TESA14022030 | 140 | 220 | 25-50 | 30 |
| TESA14023039 | 140 | 230 | 25-50 | 39 | TESA14023030 | 140 | 230 | 25-50 | 30 |

Misure speciali su richiesta - Special sizes on request - Sonderabmessungen auf Anfrage - medidas especiales sobre pedido - Специальные размеры под заказ

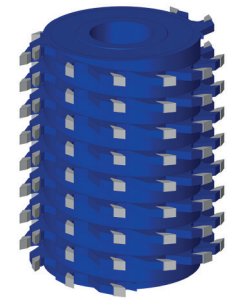
FRESA ELICOIDALE MULTITAGLIO Z=12

Multicut Spiral plannig head Z=12

Cabelzal Multidientes Z=12

Mehrschneidiger Hobelkopf Z=12

Фреза спиральная со сменными пластинами z12



| CODICE | D | B | d | CODICE | D | d |
|-------------|-----|-----|-------|-------------|-----|-------|
| FEM10012012 | 100 | 120 | 30/50 | FEM12526012 | 260 | 30/50 |
| FEM10018012 | 100 | 180 | 30/50 | FEM1408012 | 80 | 30/50 |
| FEM1258012 | 125 | 80 | 30/50 | FEM14010012 | 100 | 30/50 |
| FEM12510012 | 125 | 100 | 30/50 | FEM14012012 | 120 | 30/50 |
| FEM12512012 | 125 | 120 | 30/50 | FEM14013012 | 130 | 30/50 |
| FEM12513012 | 125 | 130 | 30/50 | FEM14015012 | 150 | 30/50 |
| FEM12513012 | 125 | 150 | 30/50 | FEM14016012 | 160 | 30/50 |
| FEM12516012 | 125 | 160 | 30/50 | FEM14018012 | 180 | 30/50 |
| FEM12518012 | 125 | 180 | 30/50 | FEM14019012 | 190 | 30/50 |
| FEM12519012 | 125 | 190 | 30/50 | FEM14020012 | 200 | 30/50 |
| FEM12520012 | 125 | 200 | 30/50 | FEM14021012 | 210 | 30/50 |
| FEM12521012 | 125 | 210 | 30/50 | FEM14023012 | 230 | 30/50 |
| FEM12523012 | 125 | 230 | 30/50 | FEM14024012 | 240 | 30/50 |
| FEM12524012 | 125 | 240 | 30/50 | FEM14025012 | 250 | 30/50 |
| FEM12525012 | 125 | 250 | 30/50 | FEM14026012 | 260 | 30/50 |

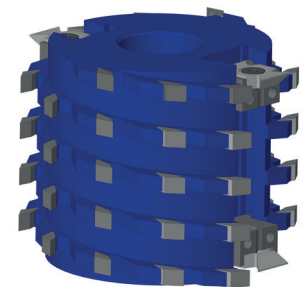
FRESA ELICOIDALE MULTITAGLIO PER PIALLARE, SMUSSARE E RAGGIARE Z=14

Multicut spiral cutters for planing and bevelling/radius execution Z=14

Mehrschneidiger Hobelkopf Z=14 für kanten oden abrunden

Cabezal Multidientas Z=14 para redondear o biselar

Фреза со спиральной режущей кромкой для строгания, снятия фаски и радиуса Z=14



Z=10

| CODICE | D | B | d | S/R |
|----------------|-----|-----|-------|-----|
| FEMC1008010.4 | 100 | 80 | 30-35 | 4 |
| FEMC10012010.4 | 100 | 120 | 30-35 | 4 |
| FEMC10018010.4 | 100 | 180 | 30-35 | 4 |

Z=12

| CODICE | B | d | S/R |
|----------------|-----|-------|-----|
| FEMC1208014.4 | 80 | 35-40 | 4 |
| FEMC12012014.4 | 120 | 35-40 | 4 |
| FEMC12018014.4 | 180 | 35-40 | 4 |
| FEMC1258014. | 80 | 35-40 | 4 |
| FEMC12512014. | 120 | 35-40 | 4 |
| FEMC12518014.4 | 180 | 35-40 | 4 |
| FEMC12523014.4 | 230 | 35-40 | 4 |
| FEMC1408014.4 | 80 | 35-40 | 4 |
| FEMC14012014.4 | 120 | 35-40 | 4 |
| FEMC14018014.4 | 180 | 35-40 | 4 |
| FEMC14023014.4 | 230 | 35-40 | 4 |

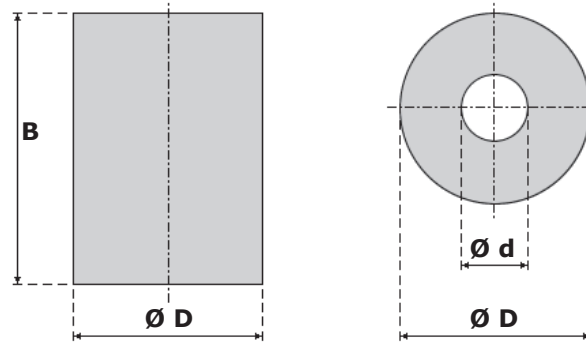
TESTE PORTACOLTELLI PIALLA HYDRO CON INGRASSATORI LATERALI E VERTICALI

Hydro cutter heads for planer knives with lateral grease valve

Hydro Schneidköpfe für die Aufnahme von Hobelmessern mit Seitenseinschmierung

Cabezales portacuchillas de cepillo hydro con engrasadores laterales

Гидрозажимные ножевые барабаны для плоского строгания



| CODICE | Ø D (mm) | B (mm) | Ø d (mm) | Z |
|-------------|-------------|-----------|-------------|---|
| HPLV163604 | 163 | 60 | 40/45/50 | 4 |
| HPLV1631004 | 163 | 100 | 40/45/50 | 4 |
| HPLV1631304 | 163 | 130 | 40/45/50 | 4 |
| HPLV1631504 | 163 | 150 | 40/45/50 | 4 |
| HPLV1631804 | 163 | 180 | 40/45/50 | 4 |
| HPLV1632304 | 163 | 230 | 40/45/50 | 4 |
| HPLV1632604 | 163 | 260 | 40/45/50 | 4 |
| HPLV1633104 | 163 | 310 | 40/45/50 | 4 |

| CODICE | Ø D (mm) | B (mm) | Ø d (mm) | Z |
|-------------|-------------|-----------|-------------|---|
| HPLV163608 | 163 | 60 | 40/45/50 | 8 |
| HPLV1631008 | 163 | 100 | 40/45/50 | 8 |
| HPLV1631308 | 163 | 130 | 40/45/50 | 8 |
| HPLV1631508 | 163 | 150 | 40/45/50 | 8 |
| HPLV1631808 | 163 | 180 | 40/45/50 | 8 |
| HPLV1632308 | 163 | 230 | 40/45/50 | 8 |
| HPLV1632608 | 163 | 260 | 40/45/50 | 8 |
| HPLV1633108 | 163 | 310 | 40/45/50 | 8 |

| | | | | |
|-------------|-----|-----|----------|---|
| HPLV163606 | 163 | 60 | 40/45/50 | 6 |
| HPLV1631006 | 163 | 100 | 40/45/50 | 6 |
| HPLV1631306 | 163 | 130 | 40/45/50 | 6 |
| HPLV1631506 | 163 | 150 | 40/45/50 | 6 |
| HPLV1631806 | 163 | 180 | 40/45/50 | 6 |
| HPLV1632306 | 163 | 230 | 40/45/50 | 6 |
| HPLV1632606 | 163 | 260 | 40/45/50 | 6 |
| HPLV1633106 | 163 | 310 | 40/45/50 | 6 |

| | | | | |
|-------------|-----|-----|----------|---|
| HPLV2031008 | 203 | 100 | 40/45/50 | 8 |
| HPLV2031508 | 203 | 150 | 40/45/50 | 8 |
| HPLV2032308 | 203 | 230 | 40/45/50 | 8 |
| HPLV2032608 | 203 | 260 | 40/45/50 | 8 |
| HPLV2033108 | 203 | 310 | 40/45/50 | 8 |
| HPLV2033308 | 203 | 330 | 40/45/50 | 8 |

| | | | | |
|-------------|-----|-----|----------|---|
| HPLV2031006 | 203 | 100 | 40/45/50 | 6 |
| HPLV2031506 | 203 | 150 | 40/45/50 | 6 |
| HPLV2032306 | 203 | 230 | 40/45/50 | 6 |
| HPLV2032606 | 203 | 260 | 40/45/50 | 6 |
| HPLV2033106 | 203 | 310 | 40/45/50 | 6 |
| HPLV2033306 | 203 | 330 | 40/45/50 | 6 |

| | | | | |
|--------------|-----|-----|----------|----|
| HPLV20310010 | 203 | 100 | 40/45/50 | 10 |
| HPLV20315010 | 203 | 150 | 40/45/50 | 10 |
| HPLV20323010 | 203 | 230 | 40/45/50 | 10 |
| HPLV20326010 | 203 | 260 | 40/45/50 | 10 |
| HPLV20331010 | 203 | 310 | 40/45/50 | 10 |
| HPLV20333010 | 203 | 330 | 40/45/50 | 10 |

| | | | | |
|--------------|-----|-----|----------|----|
| HPLV20310012 | 203 | 100 | 40/45/50 | 12 |
| HPLV20315012 | 203 | 150 | 40/45/50 | 12 |
| HPLV20323012 | 203 | 230 | 40/45/50 | 12 |
| HPLV20326012 | 203 | 260 | 40/45/50 | 12 |
| HPLV20331012 | 203 | 310 | 40/45/50 | 12 |
| HPLV20333012 | 203 | 330 | 40/45/50 | 12 |

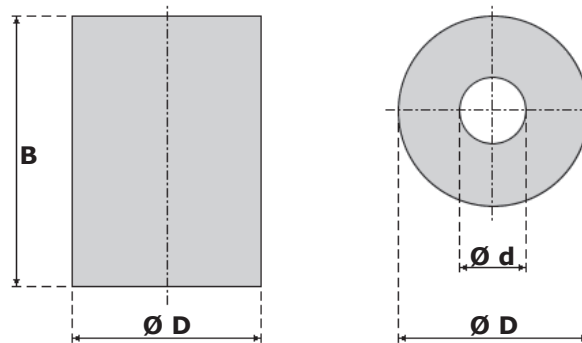
TESTE PORTACOLTELLI RIGATI IN ACCIAIO

Steel cutter heads for corrugated knives

Schneidköpfe für Aufnahme von Blanketts

Cabezales portacuchillas corrugadas en acero

Стальные ножевые барабаны для профильной обработки



Z=2

Z=4

Z=6

| CODICE | D | B | Z | CODICE | D | B | Z | CODICE | D | B | Z |
|------------|-----|----|---|------------|-----|----|---|------------|-----|----|---|
| TRA12240 2 | 122 | 40 | 2 | TRA122404 | 122 | 40 | 4 | TRA122406 | 122 | 40 | 6 |
| TRA122502 | 122 | 40 | 2 | TRA122504 | 122 | 40 | 4 | TRA122506 | 122 | 40 | 6 |
| TRA122602 | 122 | 40 | 2 | TRA122604 | 122 | 40 | 4 | TRA122606 | 122 | 40 | 6 |
| TRA122802 | 122 | 40 | 2 | TRA122804 | 122 | 40 | 4 | TRA122806 | 122 | 40 | 6 |
| TRA1221002 | 122 | 40 | 2 | TRA1221004 | 122 | 40 | 4 | TRA1221006 | 122 | 40 | 6 |
| TRA1221302 | 122 | 40 | 2 | TRA1221304 | 122 | 40 | 4 | TRA1221306 | 122 | 40 | 6 |
| TRA1221502 | 122 | 40 | 2 | TRA1221504 | 122 | 40 | 4 | TRA1221506 | 122 | 40 | 6 |
| TRA1221602 | 122 | 40 | 2 | TRA1221604 | 122 | 40 | 4 | TRA1221606 | 122 | 40 | 6 |
| TRA1221802 | 122 | 40 | 2 | TRA1221804 | 122 | 40 | 4 | TRA1221806 | 122 | 40 | 6 |
| TRA1222302 | 122 | 40 | 2 | TRA1222304 | 122 | 40 | 4 | TRA1222306 | 122 | 40 | 6 |
| TRA1222502 | 122 | 40 | 2 | TRA1222504 | 122 | 40 | 4 | TRA1222506 | 122 | 40 | 6 |
| TRA137502 | 137 | 50 | 2 | TRA137504 | 137 | 50 | 4 | TRA137506 | 137 | 50 | 6 |
| TRA137602 | 137 | 50 | 2 | TRA137604 | 137 | 50 | 4 | TRA137606 | 137 | 50 | 6 |
| TRA137802 | 137 | 50 | 2 | TRA137804 | 137 | 50 | 4 | TRA137806 | 137 | 50 | 6 |
| TRA1371002 | 137 | 50 | 2 | TRA1371004 | 137 | 50 | 4 | TRA1371006 | 137 | 50 | 6 |
| TRA1371302 | 137 | 50 | 2 | TRA1371304 | 137 | 50 | 4 | TRA1371306 | 137 | 50 | 6 |
| TRA1371502 | 137 | 50 | 2 | TRA1371504 | 137 | 50 | 4 | TRA1371506 | 137 | 50 | 6 |
| TRA1371802 | 137 | 50 | 2 | TRA1371804 | 137 | 50 | 4 | TRA1371806 | 137 | 50 | 6 |
| TRA1372302 | 137 | 50 | 2 | TRA1372304 | 137 | 50 | 4 | TRA1372306 | 137 | 50 | 6 |
| TRA1372602 | 137 | 50 | 2 | TRA1372604 | 137 | 50 | 4 | TRA1372606 | 137 | 50 | 6 |

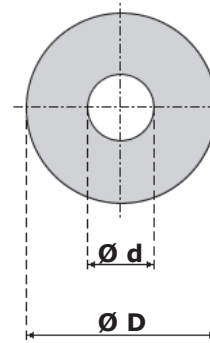
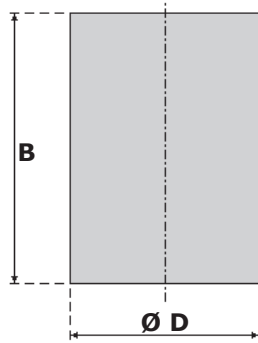
TESTE PORTACOLTELLI RIGATI HYDRO CON INGRASSATORI LATERALI E VERTICALI

Hydro cutter heads for corrugated knives with lateral grease valve

Hydro Schneidköpfe für die Aufnahme von Blanketts mit Seitenseinschmierung

Cabezales portacuchillas corrugadas hydro con engrasadores laterales

Гидрозажимные ножевые барабаны для профильной обработки



| CODICE | Ø D (mm) | B (mm) | Ø d (mm) | Z |
|-------------|-------------|-----------|-------------|---|
| HRLV137604 | 137 | 60 | 40/45/50 | 4 |
| HRLV137804 | 137 | 80 | 40/45/50 | 4 |
| HRLV1371004 | 137 | 100 | 40/45/50 | 4 |
| HRLV1371504 | 137 | 150 | 40/45/50 | 4 |
| | | | | |
| HRLV152604 | 152 | 60 | 40/45/50/60 | 4 |
| HRLV152804 | 152 | 80 | 40/45/50/60 | 4 |
| HRLV1521004 | 152 | 100 | 40/45/50/60 | 4 |
| HRLV1521304 | 152 | 130 | 40/45/50/60 | 4 |
| HRLV1521504 | 152 | 150 | 40/45/50/60 | 4 |
| HRLV1521804 | 152 | 180 | 40/45/50/60 | 4 |
| HRLV1522304 | 152 | 230 | 40/45/50/60 | 4 |
| | | | | |
| HRLV163604 | 163 | 60 | 40/45/50/60 | 4 |
| HRLV163804 | 163 | 80 | 40/45/50/60 | 4 |
| HRLV1631004 | 163 | 100 | 40/45/50/60 | 4 |
| HRLV1631304 | 163 | 130 | 40/45/50/60 | 4 |
| HRLV1631504 | 163 | 150 | 40/45/50/60 | 4 |
| HRLV1631804 | 163 | 180 | 40/45/50/60 | 4 |
| HRLV1632304 | 163 | 230 | 40/45/50/60 | 4 |
| HRLV1632604 | 163 | 260 | 40/45/50/60 | 4 |
| HRLV1633104 | 163 | 310 | 40/45/50/60 | 4 |

| CODICE | Ø D (mm) | B (mm) | Ø d (mm) | Z |
|-------------|-------------|-----------|-------------|---|
| HRLV152606 | 152 | 60 | 40/45/50/60 | 6 |
| HRLV152806 | 152 | 80 | 40/45/50/60 | 6 |
| HRLV1521006 | 152 | 100 | 40/45/50/60 | 6 |
| HRLV1521306 | 152 | 130 | 40/45/50/60 | 6 |
| HRLV1521506 | 152 | 150 | 40/45/50/60 | 6 |
| HRLV1521806 | 152 | 180 | 40/45/50/60 | 6 |
| HRLV1522306 | 152 | 230 | 40/45/50/60 | 6 |
| HRLV1522606 | 152 | 260 | 40/45/50/60 | 6 |
| HRLV1523106 | 152 | 310 | 40/45/50/60 | 6 |
| | | | | |
| HRLV163606 | 163 | 60 | 40/45/50/60 | 6 |
| HRLV163806 | 163 | 80 | 40/45/50/60 | 6 |
| HRLV1631006 | 163 | 100 | 40/45/50/60 | 6 |
| HRLV1631306 | 163 | 130 | 40/45/50/60 | 6 |
| HRLV1631506 | 163 | 150 | 40/45/50/60 | 6 |
| HRLV1631806 | 163 | 180 | 40/45/50/60 | 6 |
| HRLV1632306 | 163 | 230 | 40/45/50/60 | 6 |
| HRLV1632606 | 163 | 260 | 40/45/50/60 | 6 |
| HRLV1633106 | 163 | 310 | 40/45/50/60 | 6 |
| | | | | |
| HRLV163608 | 163 | 60 | 40/45/50/60 | 8 |
| HRLV163808 | 163 | 80 | 40/45/50/60 | 8 |
| HRLV1631008 | 163 | 100 | 40/45/50/60 | 8 |
| HRLV1631308 | 163 | 130 | 40/45/50/60 | 8 |
| HRLV1631508 | 163 | 150 | 40/45/50/60 | 8 |
| HRLV1631808 | 163 | 180 | 40/45/50/60 | 8 |
| HRLV1632308 | 163 | 230 | 40/45/50/60 | 8 |
| HRLV1632608 | 163 | 260 | 40/45/50/60 | 8 |
| HRLV1633108 | 163 | 310 | 40/45/50/60 | 8 |