

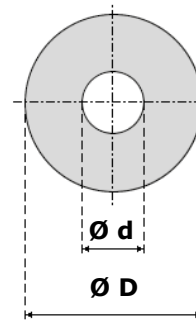
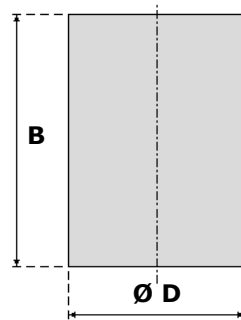
## TESTE PORTACOLTELLI PIALLA IN LEGA LEGGERA

Alluminium cutter heads for planer knives

Köpfe Leichtmetall für Hobelmesser

Cabezales portacuchillas de cepillo en aluminio

Дюралевые ножевые барабаны для плоского строгания



CODICE	Ø D (mm)	B (mm)	Ø d (mm)	Z
TPL125604	125	60	40	4
TPL125804	125	80	40	4
TPL1251004	125	100	40	4
TPL1251204	125	120	40	4
TPL1251304	125	130	40	4
TPL1251504	125	150	40	4
TPL1251604	125	160	40	4
TPL1251804	125	180	40	4
TPL1251904	125	190	40	4
TPL1252004	125	200	40	4
TPL1252204	125	220	40	4
TPL1252304	125	230	40	4
TPL1252404	125	240	40	4
TPL1252504	125	250	40	4
TPL1252604	125	260	40	4
TPL140604	140	60	40	4
TPL140804	140	80	40	4
TPL1401004	140	100	40	4
TPL1401204	140	120	40	4
TPL1401304	140	130	40	4
TPL1401504	140	150	40	4
TPL1401604	140	160	40	4
TPL1401804	140	180	40	4
TPL1401904	140	190	40	4
TPL1402004	140	200	40	4
TPL1402204	140	220	40	4
TPL1402304	140	230	40	4
TPL1402404	140	240	40	4
TPL1402504	140	250	40	4
TPL1402604	140	260	40	4

CODICE	Ø D (mm)	B (mm)	Ø d (mm)	Z
TPL125606	125	60	40	6
TPL125806	125	80	40	6
TPL1251006	125	100	40	6
TPL1251206	125	120	40	6
TPL1251306	125	130	40	6
TPL1251506	125	150	40	6
TPL1251606	125	160	40	6
TPL1251806	125	180	40	6
TPL1251906	125	190	40	6
TPL1252006	125	200	40	6
TPL1252206	125	220	40	6
TPL1252306	125	230	40	6
TPL1252406	125	240	40	6
TPL1252506	125	250	40	6
TPL1252606	125	260	40	6
TPL140606	140	60	40	6
TPL140806	140	80	40	6
TPL1401006	140	100	40	6
TPL1401206	140	120	40	6
TPL1401306	140	130	40	6
TPL1401506	140	150	40	6
TPL1401606	140	160	40	6
TPL1401806	140	180	40	6
TPL1401906	140	190	40	6
TPL1402006	140	200	40	6
TPL1402206	140	220	40	6
TPL1402306	140	230	40	6
TPL1402406	140	240	40	6
TPL1402506	140	250	40	6
TPL1402606	140	260	40	6

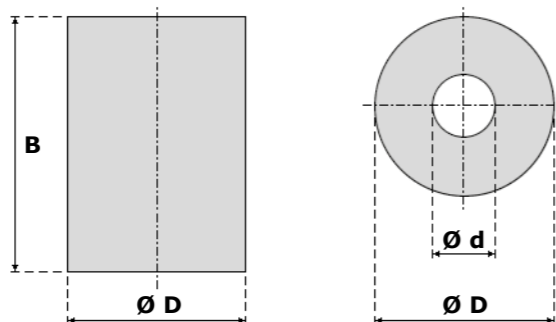
## TESTE PORTACOLTELLI PIALLA ACCIAIO

Steel cutter heads for planer knives

Köpfe zu stahl für hobelmesser

Cabezales portacuchillas de cepillo en acero

Стальные ножевые барабаны для плоского строгания



CODICE	Ø D (mm)	B (mm)	Ø d (mm)	Z	CODICE	Ø D (mm)	B (mm)	Ø d (mm)	Z
TPA125604	125	60	40	4	TPA125606	125	60	40	6
TPA125804	125	80	40	4	TPA125806	125	80	40	6
TPA1251004	125	100	40	4	TPA1251006	125	100	40	6
TPA1251204	125	120	40	4	TPA1251206	125	120	40	6
TPA1251304	125	130	40	4	TPA1251306	125	130	40	6
TPA1251504	125	150	40	4	TPA1251506	125	150	40	6
TPA1251604	125	160	40	4	TPA1251606	125	160	40	6
TPA1251804	125	180	40	4	TPA1251806	125	180	40	6
TPA1251904	125	190	40	4	TPA1251906	125	190	40	6
TPA1252004	125	200	40	4	TPA1252006	125	200	40	6
TPA1252204	125	220	40	4	TPA1252206	125	220	40	6
TPA1252304	125	230	40	4	TPA1252306	125	230	40	6
TPA1252404	125	240	40	4	TPA1252406	125	240	40	6
TPA1252504	125	250	40	4	TPA1252506	125	250	40	6
TPA1252604	125	260	40	4	TPA1252606	125	260	40	6
TPA140604	140	60	40	4	TPA140606	140	60	40	6
TPA140804	140	80	40	4	TPA140806	140	80	40	6
TPA1401004	140	100	40	4	TPA1401006	140	100	40	6
TPA1401204	140	120	40	4	TPA1401206	140	120	40	6
TPA1401304	140	130	40	4	TPA1401306	140	130	40	6
TPA1401504	140	150	40	4	TPA1401506	140	150	40	6
TPA1401604	140	160	40	4	TPA1401606	140	160	40	6
TPA1401804	140	180	40	4	TPA1401806	140	180	40	6
TPA1401904	140	190	40	4	TPA1401906	140	190	40	6
TPA1402004	140	200	40	4	TPA1402006	140	200	40	6
TPA1402204	140	220	40	4	TPA1402206	140	220	40	6
TPA1402304	140	230	40	4	TPA1402306	140	230	40	6
TPA1402404	140	240	40	4	TPA1402406	140	240	40	6
TPA1402504	140	250	40	4	TPA1402506	140	250	40	6
TPA1402604	140	260	40	4	TPA1402606	140	260	40	6

Misure speciali su richiesta - Special sizes on request - Sonderabmessungen auf Anfrage - medidas especiales sobre pedido - Специальные размеры под заказ

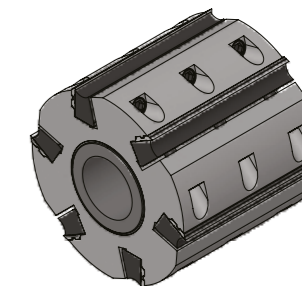
## TESTE CENTROLOCK LEGA LEGGERA

Cutterheads light alloy for Centrolock knives

Köpfe leichtmetall für Centrolock messer

Cabezales Centrolock en aluminio

Дюралевые барабаны Centrolock



Codice	D	B	d	Z
TCL1001204	100	120	35	4
TCL1001904	100	190	35	4
TCL1251004	125	100	40	4
TCL1251304	125	130	40	4
TCL1251504	125	150	40	4
TCL1251804	125	180	40	4
TCL1252104	125	210	40	4
TCL1252304	125	230	40	4
TCL1252504	125	250	40	4
TCL1401004	140	100	40-50	4
TCL1401304	140	130	40-50	4
TCL1401504	140	150	40-50	4
TCL1401804	140	180	40-50	4
TCL1402104	140	210	40-50	4
TCL1402304	140	230	40-50	4
TCL1402504	140	250	40-50	4
TCL1601006	160	100	40-50	6
TCL1601306	160	130	40-50	6
TCL1601506	160	150	40-50	6
TCL1601806	160	180	40-50	6
TCL1602106	160	210	40-50	6
TCL1602306	160	230	40-50	6
TCL1602506	160	250	40-50	6

Misure speciali su richiesta - Special sizes on request - Sonderabmessungen auf Anfrage - medidas especiales sobre pedido - Специальные размеры под заказ

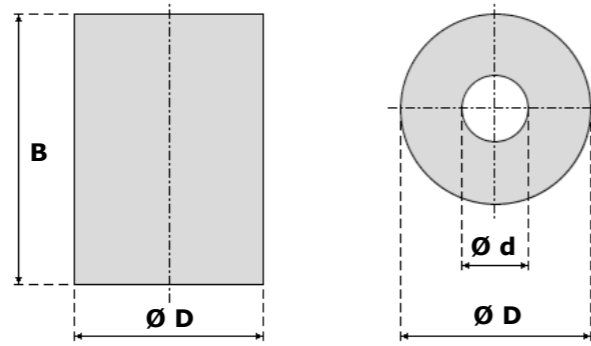
## TESTA PORTACOLTELLI ELICOIDALE IN LEGA PER PIALLATURA

Alluminium spiral planing cutter heads

Leichtmetall Spiral Hobelmesserkopf

Cabezales portacuchillas para cepillar en aluminio

Барабаны с винтовым расположением ножей предварительного строгания из алюминия



Z=4

Z=6

CODICE	D	B	d	Z
TEPL10012022	100	120	25-40	22
TEPL10013022	100	130	25-40	22
TEPL10014026	100	140	25-40	26
TEPL10015026	100	150	25-40	26
TEPL10016030	100	160	25-40	30
TEPL10018034	100	180	25-40	34

CODICE	D	B	d	Z
TEPL12012033	120	120	25-50	33
TEPL12013033	120	130	25-50	33
TEPL12014039	120	140	25-50	39
TEPL12015039	120	150	25-50	39
TEPL12016045	120	160	25-50	45
TEPL12018051	120	180	25-50	51
TEPL12020057	120	200	25-50	57
TEPL12022063	120	220	25-50	63
TEPL12023063	120	230	25-50	63
TEPL12512033	125	120	25-50	33
TEPL12513033	125	130	25-50	33
TEPL12514039	125	140	25-50	39
TEPL12515039	125	150	25-50	39
TEPL12516045	125	160	25-50	45
TEPL12518051	125	180	25-50	51
TEPL12520057	125	200	25-50	57
TEPL12522063	125	220	25-50	63
TEPL12523063	125	230	25-50	63
TEPL14012033	140	120	25-50	33
TEPL14013033	140	130	25-50	33
TEPL14014039	140	140	25-50	39
TEPL14015039	140	150	25-50	39
TEPL14016045	140	160	25-50	45
TEPL14018051	140	180	25-50	51
TEPL14020057	140	200	25-50	57
TEPL14022063	140	220	25-50	63
TEPL14023063	140	230	25-50	63

### Coltelli reversibili 14x14x2

Reversible knives 14x14x2

HW Messer für hobelsysteme 14x14x2

Cuchillas reversibles HW 14x14x2

Сменные пластины HW 14x14x2

Misure speciali su richiesta - Special sizes on request - Sonderabmessungen auf Anfrage - medidas especiales sobre pedido - Специальные размеры под заказ

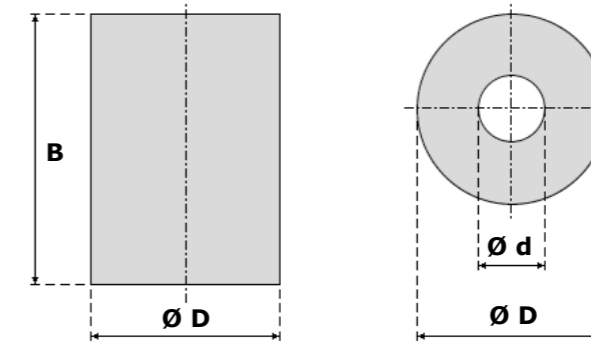
## TESTA PORTACOLTELLI ELICOIDALE PER PIALLATURA IN ACCIAIO

Steel spiral planing cutter heads

Stahl spiral Hobelmesserkopf

Cabezales portacuchillas para cepillar en acero

Барабаны с винтовым расположением ножей предварительного строгания из стали



Z=4

Z=6

CODICE	D	B	d	Z
TEPA10012022	100	120	25-40	22
TEPA10013022	100	130	25-40	22
TEPA10014026	100	140	25-40	26
TEPA10015026	100	150	25-40	26
TEPA10016030	100	160	25-40	30
TEPA10018034	100	180	25-40	34

CODICE	D	B	d	Z
TEPA12012033	120	120	25-50	33
TEPA12013033	120	130	25-50	33
TEPA12014039	120	140	25-50	39
TEPA12015039	120	150	25-50	39
TEPA12016045	120	160	25-50	45
TEPA12018051	120	180	25-50	51
TEPA12020057	120	200	25-50	57
TEPA12022063	120	220	25-50	63
TEPA12023063	120	230	25-50	63
TEPA12512033	125	120	25-50	33
TEPA12513033	125	130	25-50	33
TEPA12514039	125	140	25-50	39
TEPA12515039	125	150	25-50	39
TEPA12516045	125	160	25-50	45
TEPA12518051	125	180	25-50	51
TEPA12520057	125	200	25-50	57
TEPA12522063	125	220	25-50	63
TEPA12523063	125	230	25-50	63
TEPA14012033	140	120	25-50	33
TEPA14013033	140	130	25-50	33
TEPA14014039	140	140	25-50	39
TEPA14015039	140	150	25-50	39
TEPA14016045	140	160	25-50	45
TEPA14018051	140	180	25-50	51
TEPA14020057	140	200	25-50	57
TEPA14022063	140	220	25-50	63
TEPA14023063	140	230	25-50	63

### Coltelli reversibili 14x14x2

Reversible knives 14x14x2

HW Messer für hobelsysteme 14x14x2

Cuchillas reversibles HW 14x14x2

Сменные пластины HW 14x14x2

Misure speciali su richiesta - Special sizes on request - Sonderabmessungen auf Anfrage - medidas especiales sobre pedido - Специальные размеры под заказ

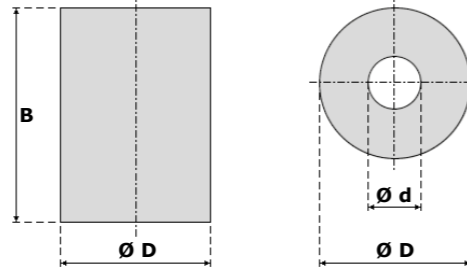
## TESTA PORTACOLTELLI ELICOIDALE IN LEGA PER PIALLATURA Z=6

Alluminium spiral planing cutter heads Z=6

Leichtmetal Spiral Hobelmesserkopf Z=6

Cabezales portacuchillas para cepillar en aluminio Z=6

Барабаны с винтовым расположением ножей предварительного строгания из алюминия Z=6



Coltelli reversibili da pag. 38

Reversible knives from page 38

HW Messer für hobelsysteme ab Seite 38

Cuchillas reversibles HW de las páginas 38

Сменные пластины сменные твердосплавные ножи

CODICE	D	B	d	Z
TESL10012021	100	120	25-40	21
TESL10013021	100	130	25-40	21
TESL10014024	100	140	25-40	24
TESL10015024	100	150	25-40	24
TESL10016027	100	160	25-40	27
TESL10018030	100	180	25-40	30
TESL12012021	120	120	25-50	21
TESL12013021	120	130	25-50	21
TESL12014024	120	140	25-50	24
TESL12015024	120	150	25-50	24
TESL12016027	120	160	25-50	27
TESL12018030	120	180	25-50	30
TESL12020033	120	200	25-50	33
TESL12022039	120	220	25-50	39
TESL12023039	120	230	25-50	39
TESL12512021	125	120	25-50	21
TESL12513021	125	130	25-50	21
TESL12514024	125	140	25-50	24
TESL12515024	125	150	25-50	24
TESL12516027	125	160	25-50	27
TESL12518030	125	180	25-50	30
TESL12520033	125	200	25-50	33
TESL12522039	125	220	25-50	39
TESL12523039	125	230	25-50	39
TESL14012021	140	120	25-50	21
TESL14013021	140	130	25-50	21
TESL14014024	140	140	25-50	24
TESL14015024	140	150	25-50	24
TESL14016027	140	160	25-50	27
TESL14018030	140	180	25-50	30
TESL14020033	140	200	25-50	33
TESL14022039	140	220	25-50	39
TESL14023039	140	230	25-50	39

CODICE	D	B	d	Z
TESL10012015	100	120	25-40	15
TESL10013018	100	130	25-40	18
TESL10014018	100	140	25-40	18
TESL10015021	100	150	25-40	21
TESL10016021	100	160	25-40	21
TESL10018024	100	180	25-40	24
TESL12012015	120	120	25-50	15
TESL12013018	120	130	25-50	18
TESL12014018	120	140	25-50	18
TESL12015021	120	150	25-50	21
TESL12016021	120	160	25-50	21
TESL12018024	120	180	25-50	24
TESL12020027	120	200	25-50	27
TESL12022030	120	220	25-50	30
TESL12023030	120	230	25-50	30
TESL12512015	125	120	25-50	15
TESL12513018	125	130	25-50	18
TESL12514018	125	140	25-50	18
TESL12515021	125	150	25-50	21
TESL12516021	125	160	25-50	21
TESL12518024	125	180	25-50	24
TESL12520027	125	200	25-50	27
TESL12522030	125	220	25-50	30
TESL12523030	125	230	25-50	30
TESL14012015	140	120	25-50	15
TESL14013018	140	130	25-50	18
TESL14014018	140	140	25-50	18
TESL14015021	140	150	25-50	21
TESL14016021	140	160	25-50	21
TESL14018024	140	180	25-50	24
TESL14020027	140	200	25-50	27
TESL14022030	140	220	25-50	30
TESL14023030	140	230	25-50	30

Misure speciali su richiesta - Special sizes on request - Sonderabmessungen auf Anfrage - medidas especiales sobre pedido - Специальные размеры под заказ

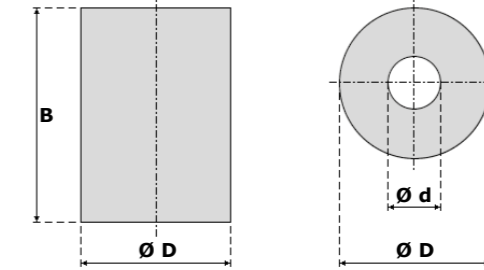
## TESTA PORTACOLTELLI ELICOIDALE IN ACCIAIO PER PIALLATURA Z=6

Steel spiral planing cutter heads Z=6

Stahl spiral Hobelmesserkopf Z=6

Cabezales portacuchillas para cepillar en acero Z=6

Барабаны с винтовым расположением ножей предварительного строгания Z=6 из стали



Coltelli reversibili da pag. 38

Reversible knives from page 38

HW Messer für hobelsysteme ab Seite 38

Cuchillas reversibles HW de las páginas 38

Сменные пластины сменные твердосплавные ножи

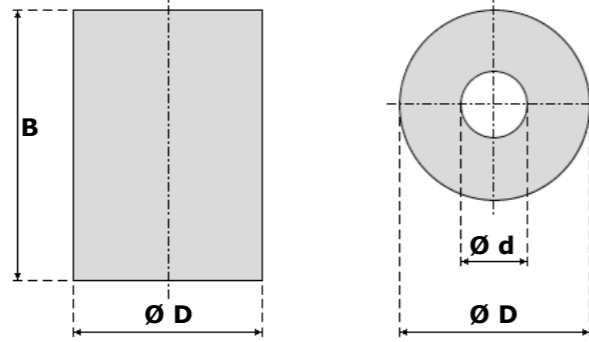
CODICE	D	B	d	Z
TESA10012021	100	120	25-40	21
TESA10013021	100	130	25-40	21
TESA10014024	100	140	25-40	24
TESA10015024	100	150	25-40	24
TESA10016027	100	160	25-40	27
TESA10018030	100	180	25-40	30
TESA12012021	120	120	25-50	21
TESA12013021	120	130	25-50	21
TESA12014024	120	140	25-50	24
TESA12015024	120	150	25-50	24
TESA12016027	120	160	25-50	27
TESA12018030	120	180	25-50	30
TESA12020033	120	200	25-50	33
TESA12022039	120	220	25-50	39
TESA12023039	120	230	25-50	39
TESA12512021	125	120	25-50	21
TESA12513021	125	130	25-50	21
TESA12514024	125	140	25-50	24
TESA12515024	125	150	25-50	24
TESA12516027	125	160	25-50	27
TESA12518030	125	180	25-50	30
TESA12520033	125	200	25-50	33
TESA12522039	125	220	25-50	39
TESA12523039	125	230	25-50	39
TESA14012021	140	120	25-50	21
TESA14013021	140	130	25-50	21
TESA14014024	140	140	25-50	24
TESA14015024	140	150	25-50	24
TESA14016027	140	160	25-50	27
TESA14018030	140	180	25-50	30
TESA14020033	140	200	25-50	33
TESA14022039	140	220	25-50	39
TESA14023039	140	230	25-50	39

CODICE	D	B	d	Z
TESA10012015	100	120	25-40	15
TESA10013018	100	130	25-40	18
TESA10014018	100	140	25-40	18
TESA10015021	100	150	25-40	21
TESA10016021	100	160	25-40	21
TESA10018024	100	180	25-40	24
TESA12012015	120	120	25-50	15
TESA12013018	120	130	25-50	18
TESA12014018	120	140	25-50	18
TESA12015021	120	150	25-50	21
TESA12016021	120	160	25-50	21
TESA12018024	120	180	25-50	24
TESA12020027	120	200	25-50	27
TESA12022030	120	220	25-50	30
TESA12023030	120	230	25-50	30
TESA12512015	125	120	25-50	15
TESA12513018	125	130	25-50	18
TESA12514018	125	140	25-50	18
TESA12515021	125	150	25-50	21
TESA12516021	125	160	25-50	21
TESA12518024	125	180	25-50	24
TESA12520027	125	200	25-50	27
TESA12522030	125	220	25-50	30
TESA12523030	125	230	25-50	30
TESA14012015	140	120	25-50	15
TESA14013018	140	130	25-50	18
TESA14014018	140	140	25-50	18
TESA14015021	140	150	25-50	21
TESA14016021	140	160	25-50	21
TESA14018024	140	180	25-50	24
TESA14020027	140	200	25-50	27
TESA14022030	140	220	25-50	30
TESA14023030	140	230	25-50	30

Misure speciali su richiesta - Special sizes on request - Sonderabmessungen auf Anfrage - medidas especiales sobre pedido - Специальные размеры под заказ

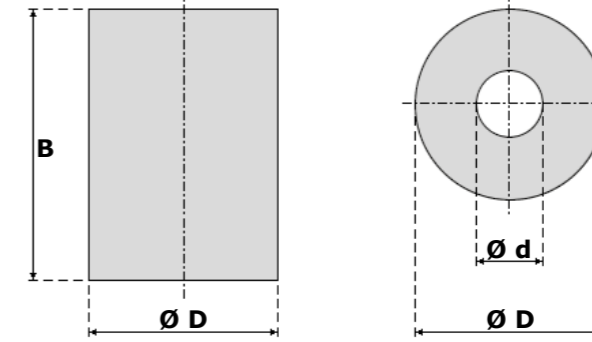
## TESTE PORTACOLTELLI PIALLA HYDRO CON INGRASSATORI LATERALI E VERTICALI

Hydro cutter heads for planer knives with lateral grease valve  
 Hydro Schneidköpfe für die Aufnahme von Hobelmessern mit Seitenseinschmierung  
 Cabezales portacuchillas de cepillo hydro con engrasadores laterales  
 Гидрозажимные ножевые барабаны для плоского строгания



## TESTE PORTACOLTELLI RIGATI IN ACCIAIO

Steel cutter heads for corrugated knives  
 Schneidköpfe für Aufnahme von Blanketts  
 Cabezales portacuchillas corrugadas en acero  
 Стальные ножевые барабаны для профильной обработки



**Z=2**

**Z=4**

**Z=6**

CODICE	Ø D (mm)	B (mm)	Ø d (mm)	Z
HPLV163604	163	60	40/45/50	4
HPLV1631004	163	100	40/45/50	4
HPLV1631304	163	130	40/45/50	4
HPLV1631504	163	150	40/45/50	4
HPLV1631804	163	180	40/45/50	4
HPLV1632304	163	230	40/45/50	4
HPLV1632604	163	260	40/45/50	4
HPLV1633104	163	310	40/45/50	4
HPLV163606	163	60	40/45/50	6
HPLV1631006	163	100	40/45/50	6
HPLV1631306	163	130	40/45/50	6
HPLV1631506	163	150	40/45/50	6
HPLV1631806	163	180	40/45/50	6
HPLV1632306	163	230	40/45/50	6
HPLV1632606	163	260	40/45/50	6
HPLV1633106	163	310	40/45/50	6
HPLV2031006	203	100	40/45/50	6
HPLV2031506	203	150	40/45/50	6
HPLV2032306	203	230	40/45/50	6
HPLV2032606	203	260	40/45/50	6
HPLV2033106	203	310	40/45/50	6
HPLV2033306	203	330	40/45/50	6

CODICE	Ø D (mm)	B (mm)	Ø d (mm)	Z
HPLV163608	163	60	40/45/50	8
HPLV1631008	163	100	40/45/50	8
HPLV1631308	163	130	40/45/50	8
HPLV1631508	163	150	40/45/50	8
HPLV1631808	163	180	40/45/50	8
HPLV1632308	163	230	40/45/50	8
HPLV1632608	163	260	40/45/50	8
HPLV1633108	163	310	40/45/50	8
HPLV2031008	203	100	40/45/50	8
HPLV2031508	203	150	40/45/50	8
HPLV2032308	203	230	40/45/50	8
HPLV2032608	203	260	40/45/50	8
HPLV2033108	203	310	40/45/50	8
HPLV2033308	203	330	40/45/50	8
HPLV20310010	203	100	40/45/50	10
HPLV20315010	203	150	40/45/50	10
HPLV20323010	203	230	40/45/50	10
HPLV20326010	203	260	40/45/50	10
HPLV20331010	203	310	40/45/50	10
HPLV20333010	203	330	40/45/50	10
HPLV20310012	203	100	40/45/50	12
HPLV20315012	203	150	40/45/50	12
HPLV20323012	203	230	40/45/50	12
HPLV20326012	203	260	40/45/50	12
HPLV20331012	203	310	40/45/50	12
HPLV20333012	203	330	40/45/50	12

CODICE	D	B	Z
TRA12240 2	122	40	2
TRA122502	122	40	2
TRA122602	122	40	2
TRA122802	122	40	2
TRA1221002	122	40	2
TRA1221302	122	40	2
TRA1221502	122	40	2
TRA1221602	122	40	2
TRA1221802	122	40	2
TRA1222302	122	40	2
TRA1222502	122	40	2
TRA137502	137	50	2
TRA137602	137	50	2
TRA137802	137	50	2
TRA1371002	137	50	2
TRA1371302	137	50	2
TRA1371502	137	50	2
TRA1371802	137	50	2
TRA1372302	137	50	2
TRA1372602	137	50	2

CODICE	D	B	Z
TRA122404	122	40	4
TRA122504	122	40	4
TRA122604	122	40	4
TRA122804	122	40	4
TRA1221004	122	40	4
TRA1221304	122	40	4
TRA1221504	122	40	4
TRA1221604	122	40	4
TRA1221804	122	40	4
TRA1222304	122	40	4
TRA1222504	122	40	4
TRA137504	137	50	4
TRA137604	137	50	4
TRA137804	137	50	4
TRA1371004	137	50	4
TRA1371304	137	50	4
TRA1371504	137	50	4
TRA1371804	137	50	4
TRA1372304	137	50	4
TRA1372604	137	50	4

CODICE	D	B	Z
TRA122406	122	40	6
TRA122506	122	40	6
TRA122606	122	40	6
TRA122806	122	40	6
TRA1221006	122	40	6
TRA1221306	122	40	6
TRA1221506	122	40	6
TRA1221606	122	40	6
TRA1221806	122	40	6
TRA1222306	122	40	6
TRA1222506	122	40	6
TRA137506	137	50	6
TRA137606	137	50	6
TRA137806	137	50	6
TRA1371006	137	50	6
TRA1371306	137	50	6
TRA1371506	137	50	6
TRA1371806	137	50	6
TRA1372306	137	50	6
TRA1372606	137	50	6

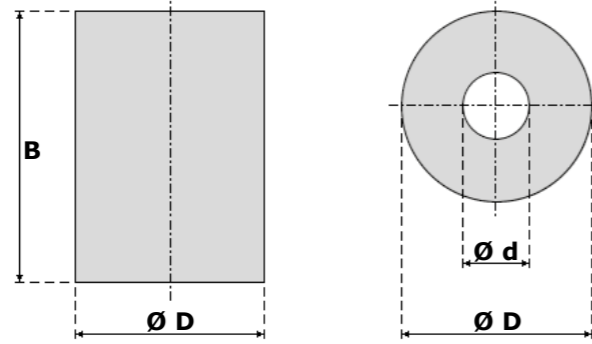
## TESTE PORTACOLTELLI RIGATI HYDRO CON INGRASSATORI LATERALI E VERTICALI

Hydro cutter heads for corrugated knives with lateral grease valve

Hydro Schneidköpfe für die Aufnahme von Blanketts mit Seitenseinschmierung

Cabezales portacuchillas corrugadas hydro con engrasadores laterales

Гидрозажимные ножевые барабаны для профильной обработки



CODICE	Ø D (mm)	B (mm)	Ø d (mm)	Z	CODICE	Ø D (mm)	B (mm)	Ø d (mm)	Z
HRLV137604	137	60	40/45/50	4	HRLV152606	152	60	40/45/50/60	6
HRLV137804	137	80	40/45/50	4	HRLV152806	152	80	40/45/50/60	6
HRLV1371004	137	100	40/45/50	4	HRLV1521006	152	100	40/45/50/60	6
HRLV1371504	137	150	40/45/50	4	HRLV1521306	152	130	40/45/50/60	6
					HRLV1521506	152	150	40/45/50/60	6
					HRLV1521806	152	180	40/45/50/60	6
					HRLV1522306	152	230	40/45/50/60	6
					HRLV1522606	152	260	40/45/50/60	6
HRLV152604	152	60	40/45/50/60	4	HRLV1523106	152	310	40/45/50/60	6
HRLV152804	152	80	40/45/50/60	4	HRLV163606	163	60	40/45/50/60	6
HRLV1521004	152	100	40/45/50/60	4	HRLV163806	163	80	40/45/50/60	6
HRLV1521304	152	130	40/45/50/60	4	HRLV1631006	163	100	40/45/50/60	6
HRLV1521504	152	150	40/45/50/60	4	HRLV1631306	163	130	40/45/50/60	6
HRLV1521804	152	180	40/45/50/60	4	HRLV1631506	163	150	40/45/50/60	6
HRLV1522304	152	230	40/45/50/60	4	HRLV1631806	163	180	40/45/50/60	6
					HRLV1632306	163	230	40/45/50/60	6
					HRLV1632606	163	260	40/45/50/60	6
					HRLV1633106	163	310	40/45/50/60	6
HRLV163604	163	60	40/45/50/60	4	HRLV163608	163	60	40/45/50/60	8
HRLV163804	163	80	40/45/50/60	4	HRLV163808	163	80	40/45/50/60	8
HRLV1631004	163	100	40/45/50/60	4	HRLV1631008	163	100	40/45/50/60	8
HRLV1631304	163	130	40/45/50/60	4	HRLV1631308	163	130	40/45/50/60	8
HRLV1631504	163	150	40/45/50/60	4	HRLV1631508	163	150	40/45/50/60	8
HRLV1631804	163	180	40/45/50/60	4	HRLV1631808	163	180	40/45/50/60	8
HRLV1632304	163	230	40/45/50/60	4	HRLV1632308	163	230	40/45/50/60	8
HRLV1632604	163	260	40/45/50/60	4	HRLV1632608	163	260	40/45/50/60	8
HRLV1633104	163	310	40/45/50/60	4	HRLV1633108	163	310	40/45/50/60	8

Misure speciali su richiesta - Special sizes on request - Sonderabmessungen auf Anfrage - medidas especiales sobre pedido - Специальные размеры под заказ

## FRESA ELICOIDALE MULTITAGLIO Z=12

Multicut Spiral plannig head Z=12

Cabelzal Multidientes Z=12

Mehrschneidiger Hobelkopf Z=12

Фреза спиральная со сменными пластинами z12



CODICE	D	B	d	CODICE	D	d
FEM10012012	100	120	30/50	FEM12526012	260	30/50
FEM10018012	100	180	30/50	FEM1408012	80	30/50
FEM1258012	125	80	30/50	FEM14010012	100	30/50
FEM12510012	125	100	30/50	FEM14012012	120	30/50
FEM12512012	125	120	30/50	FEM14013012	130	30/50
FEM12513012	125	130	30/50	FEM14015012	150	30/50
FEM12513012	125	150	30/50	FEM14016012	160	30/50
FEM12516012	125	160	30/50	FEM14018012	180	30/50
FEM12518012	125	180	30/50	FEM14019012	190	30/50
FEM12519012	125	190	30/50	FEM14020012	200	30/50
FEM12520012	125	200	30/50	FEM14021012	210	30/50
FEM12521012	125	210	30/50	FEM14023012	230	30/50
FEM12523012	125	230	30/50	FEM14024012	240	30/50
FEM12524012	125	240	30/50	FEM14025012	250	30/50
FEM12525012	125	250	30/50	FEM14026012	260	30/50

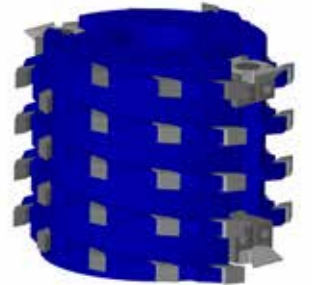
## FRESA ELICOIDALE MULTITAGLIO PER PIALLARE, SMUSSARE E RAGGIARE Z=14

Multicut spiral cutters for planing and bevelling/radius execution Z=14

Mehrschneidiger Hobelkopf Z=14 für kanten oden abrunden

Cabezal Multidientas Z=14 para redondear o biselar

Фреза со спиральной режущей кромкой для строгания, снятия фаски и радиуса Z=14



Z=10					Z=14			
CODICE	D	B	d	S/R	CODICE	B	d	S/R
FEMC1008010.4	100	80	30-35	4	FEMC1208014.4	80	35-40	4
FEMC10012010.4	100	120	30-35	4	FEMC12012014.4	120	35-40	4
FEMC10018010.4	100	180	30-35	4	FEMC12018014.4	180	35-40	4
					FEMC1258014.	80	35-40	4
					FEMC12512014.	120	35-40	4
					FEMC12518014.4	180	35-40	4
					FEMC12523014.4	230	35-40	4
					FEMC1408014.4	80	35-40	4
					FEMC14012014.4	120	35-40	4
					FEMC14018014.4	180	35-40	4
					FEMC14023014.4	230	35-40	4

Misure speciali su richiesta - Special sizes on request - Sonderabmessungen auf Anfrage - medidas especiales sobre pedido - Специальные размеры под заказ